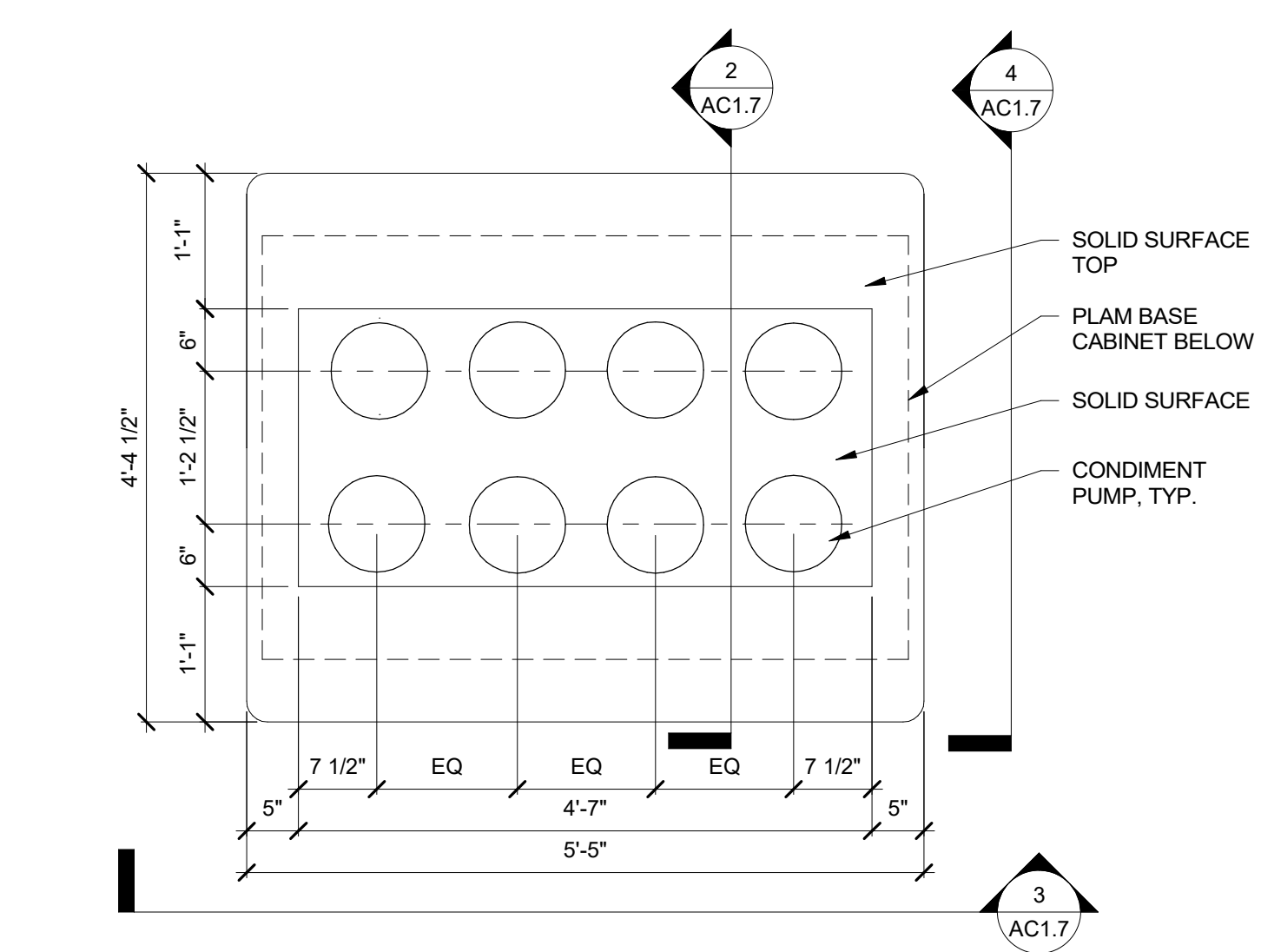
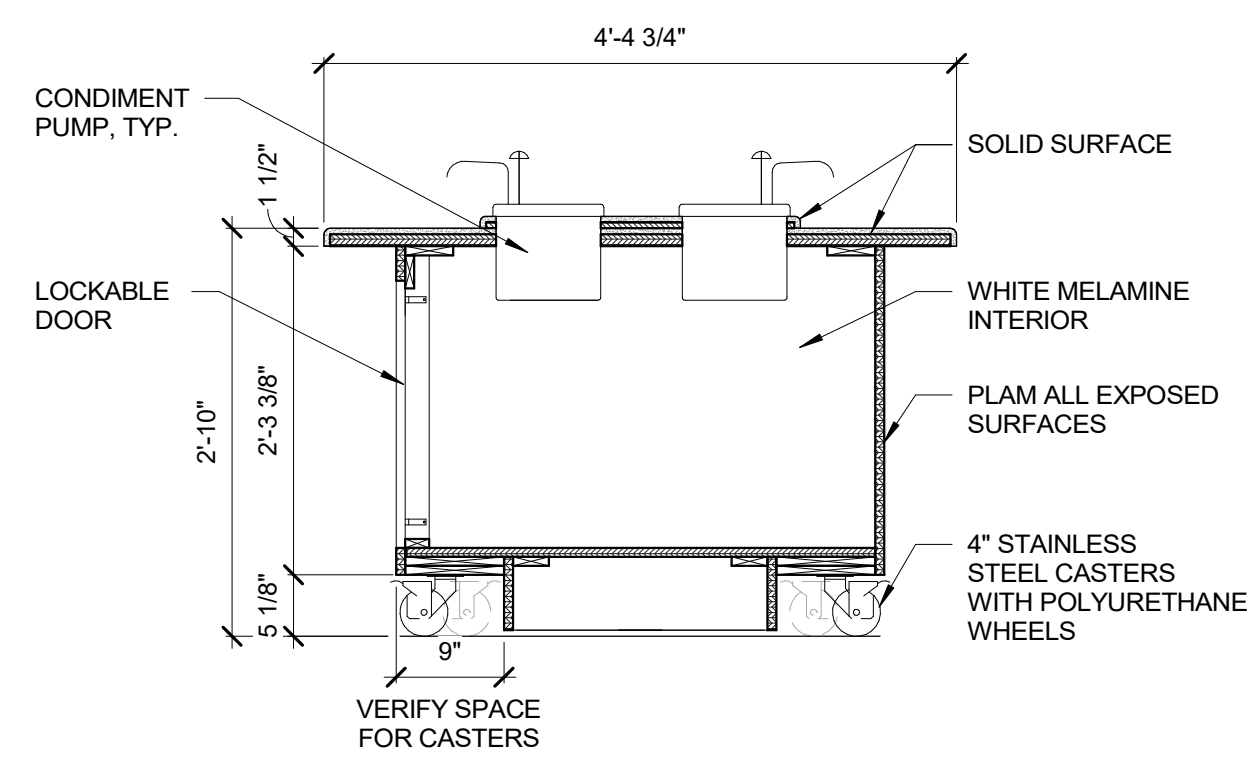


REVISIONS		
Revision Date	Rev. #	Revision Description
7-17-18	J	Addendum #3

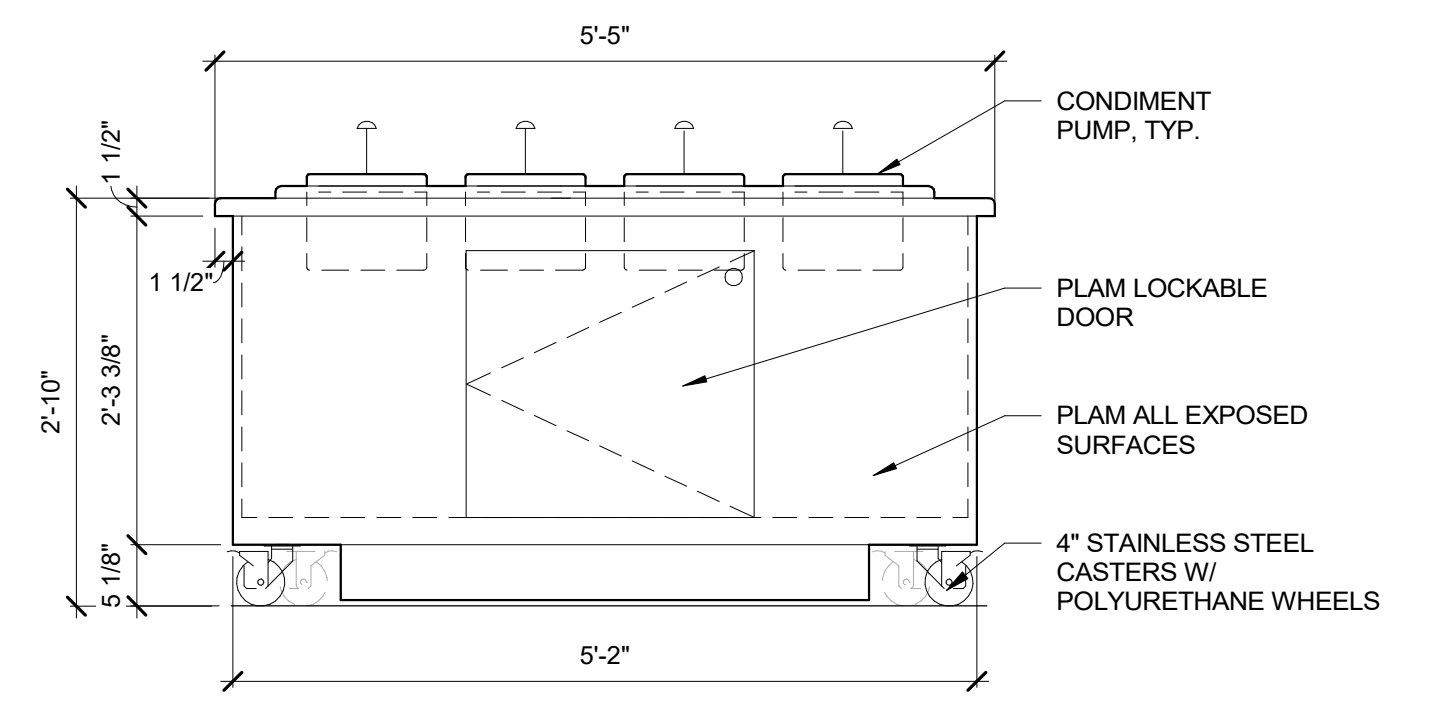
PROJECT NUMBER: 400417
DATE OF ORIGINAL ISSUE: June 15, 2018
SHEET NUMBER



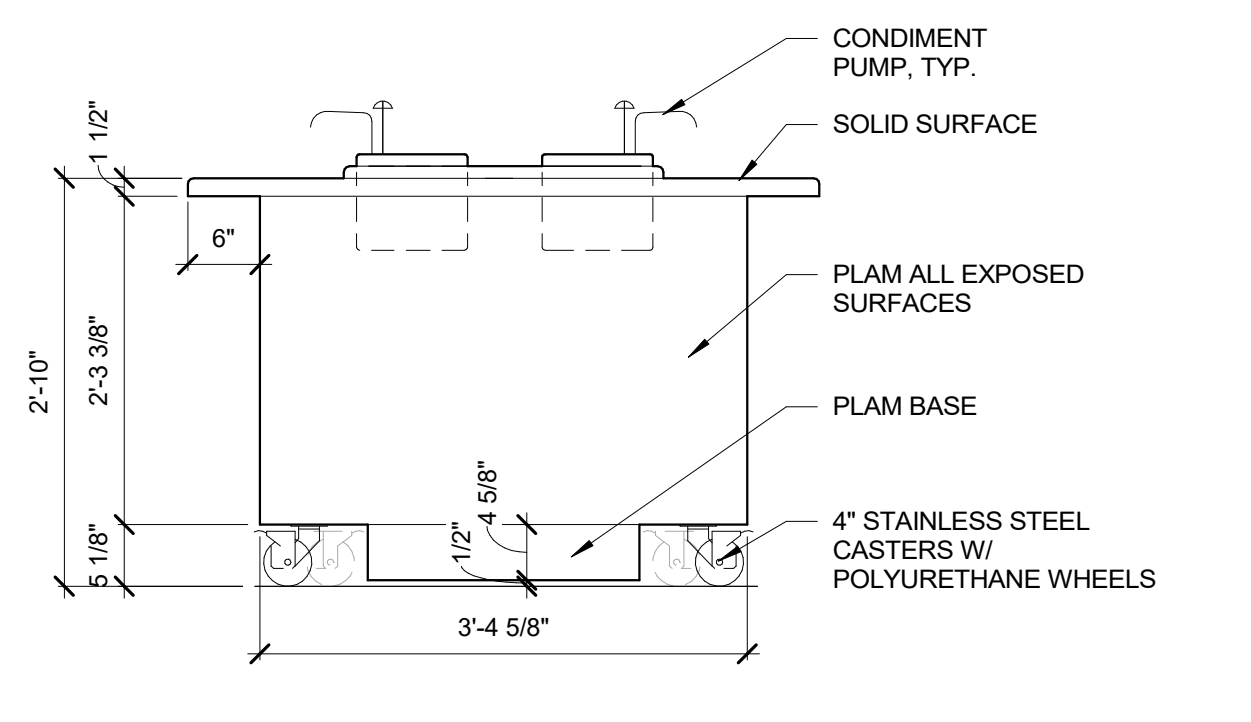
1 ENLARGED PLAN @ CONDIMENT BAR
3/4" = 1'-0"



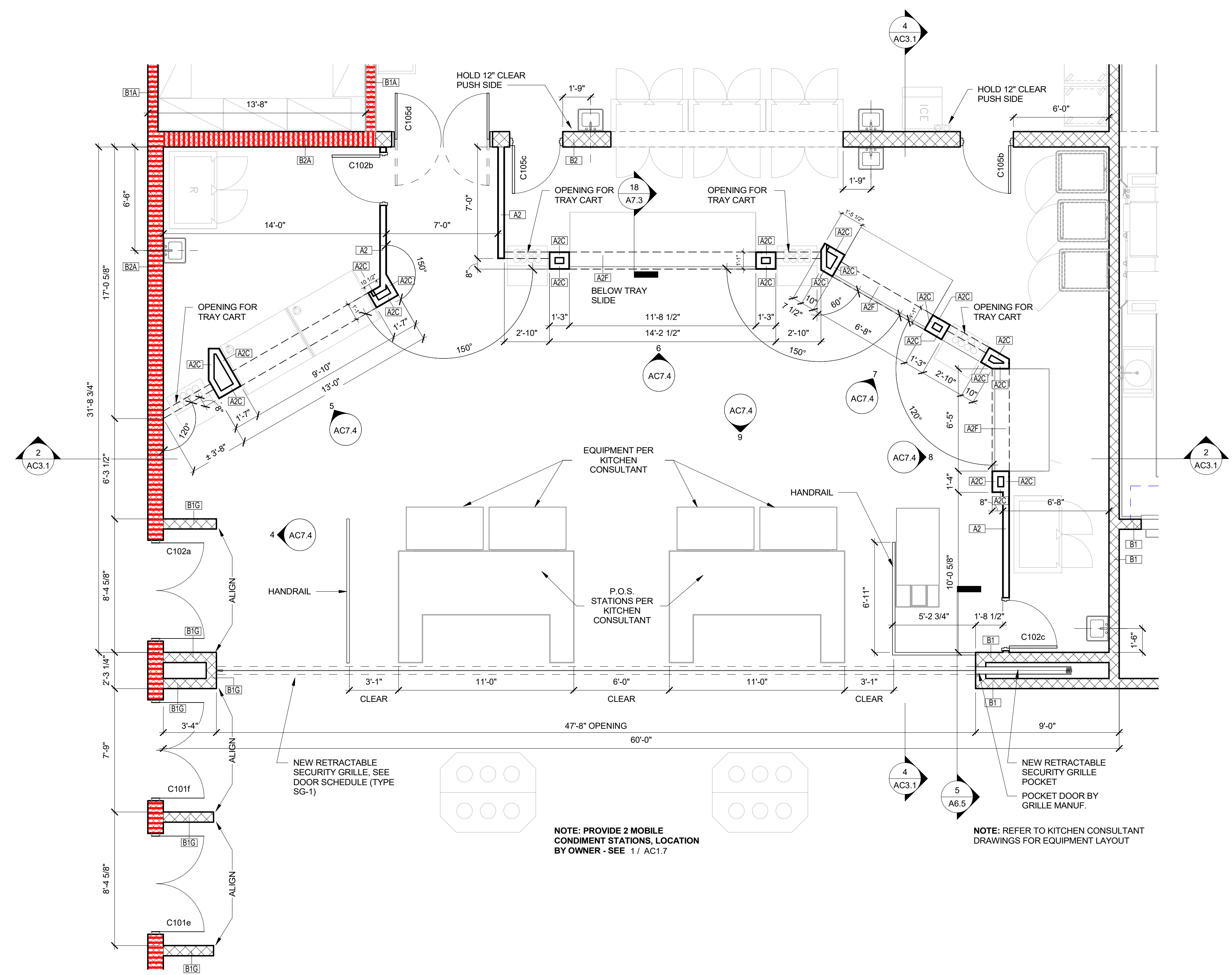
2 SECTION @ CONDIMENT BAR
3/4" = 1'-0" REF. 1/ AC1.7



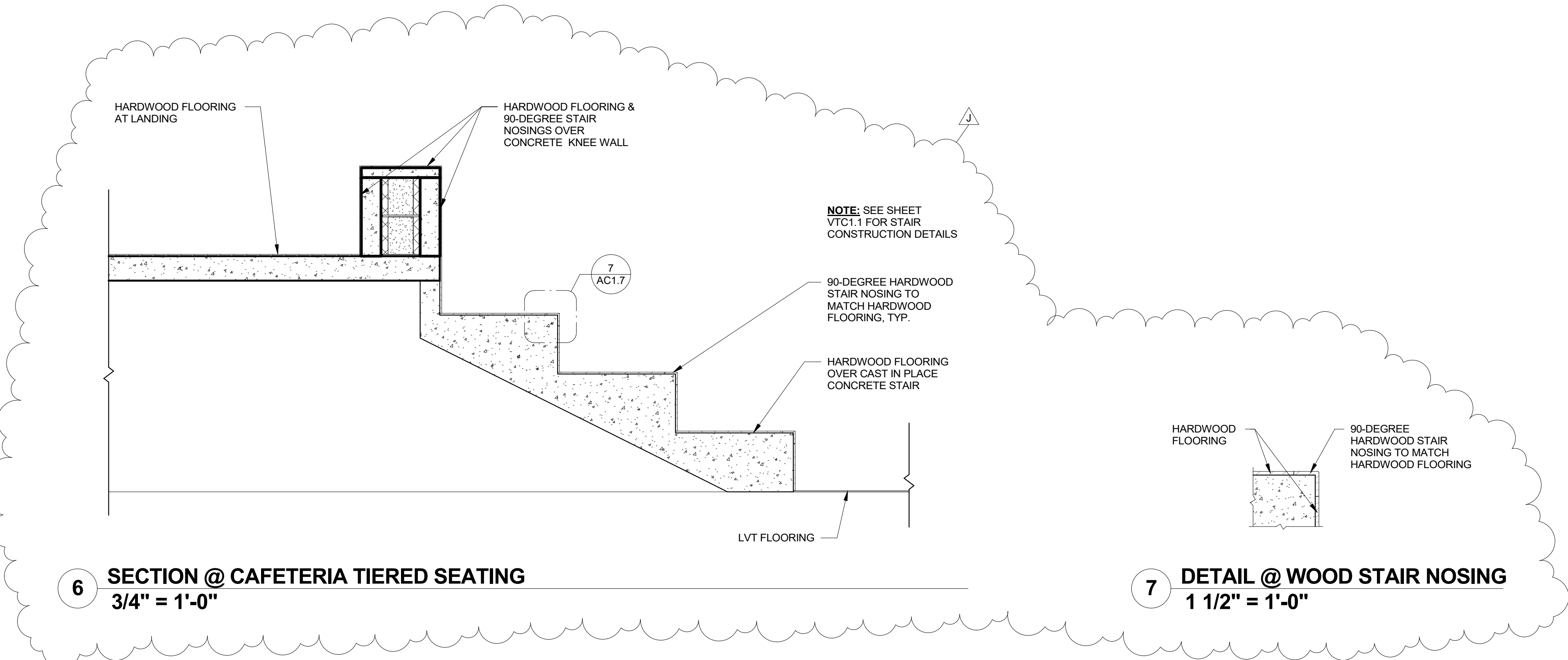
3 ELEVATION @ CONDIMENT BAR SIDE
3/4" = 1'-0" REF. 1/ AC1.7



4 ELEVATION @ CONDIMENT BAR END
3/4" = 1'-0" REF. 1/ AC1.7



5 BLDG C - ENLARGED PLAN @ SERVING AREA
1/4" = 1'-0" REF. 1/ AC1.1



6 SECTION @ CAFETERIA TIERED SEATING
3/4" = 1'-0"

7 DETAIL @ WOOD STAIR NOSING
1 1/2" = 1'-0"